

# DISSOLVED AIR FLOTATION | (DAF)

Taking bigger steps to leave a smaller footprint

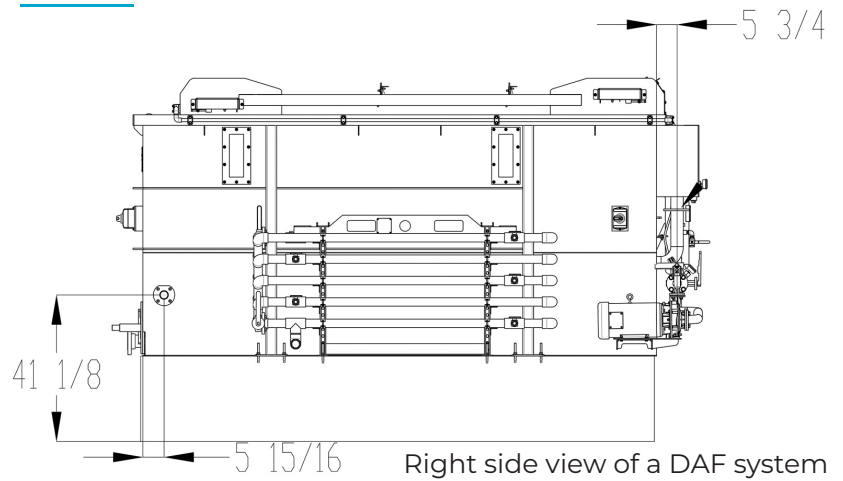


## Features & Benefits

- Automation options reduces risk of human error
- Low operating cost
- Turn-key custom, engineered systems
- Made in the USA with stainless steel
- 100% accountability through the Performance Guarantee Program\*

\*If the system fails to meet the **MacDermid Envio Solutions** specifications outlined in the project, we will correct mistakes up to and including furnishing a completely new system. That's how confident we are in our ability to engineer a high-quality system the first time around. Ask a **MacDermid Envio Solutions** rep for full details on the Performance Guarantee Program.

Only MacDermid Envio Solutions holistic approach to wastewater treatment ensures that your DAF integrates into your system for the most optimal and cost-effective solids removal possible.



## Standard DAF Sizes Available

DAF Size	FLOWS (GPM)	DAF Size	FLOWS (GPM)	DAF Size	FLOWS (GPM)	DAF Size	FLOWS (GPM)
3 x 10	10 - 45	8 x 24	50 - 350	10 x 24	50 - 400	12 x 30	150 - 750
4 x 12	10 - 55	8 x 30	100 - 500	10 x 30	100 - 600	12 x 36	200 - 950
6 x 18	10 - 100	8 x 36	100 - 650	10 x 36	150 - 800	12 x 42	250 - 1100
6 x 24	25 - 200	8 x 42	150 - 800	10 x 42	200 - 950	12 x 48	300 - 1300
6 x 30	50 - 300	8 x 48	200 - 1000	10 x 48	250 - 1000	12 x 54	350 - 1500
6 x 36	75 - 400	8 x 54	250 - 1150	10 x 54	300 - 1200	12 x 60	500 - 2000
8 x 18	10 - 200	8 x 60	300 - 1300	10 x 60	350 - 1350	14 x 60	600 - 2400



See our web site for more details  
[www.macdermidenvio.com](http://www.macdermidenvio.com)

Email: [isenquiries@macdermidenvio.com](mailto:isenquiries@macdermidenvio.com)  
 © 2020 MacDermidEnvio.



An Element Solutions Inc. company



# DISSOLVED AIR FLOTATION | (DAF)

Taking bigger steps to leave a smaller footprint

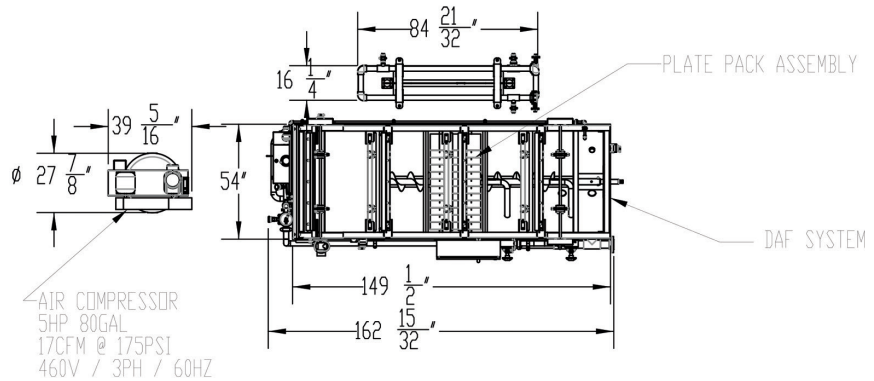
## Features & Benefits

- Automation options reduces risk of human error
- Low operating cost
- Turn-key custom, engineered systems
- Aeration retrofits for existing DAF systems
- 100% accountability through the Performance Guarantee Program\*

\*If the system fails to meet the **MacDermid Envio Solutions** specifications outlined in the project, we will correct mistakes up to and including furnishing a completely new system. That's how confident we are in our ability to engineer a high-quality system the first time around.

**Note:** We work with suppliers including VanAire, who's system is primarily featured on this document. Doing this allows us to choose the best option specific to your needs.

**MacDermid Envio Solutions will ensure you incorporate the proper DAF applications in your design to reach your facility's ideal effluent removal rates.**



## Standard DAF Sizes Available

DAF Size	Weights	FLOWS (GPM)	DAF Size	Weights	FLOWS (GPM)	DAF Size	Weights	FLOWS (GPM)	DAF Size	Weights	FLOWS (GPM)
3 x 10	2160	10 - 45	8 x 24	9732	50 - 350	10 x 24	10860	50 - 400	12 x 30	14996	150 - 750
4 x 12	2434	10 - 55	8 x 30	11080	100 - 500	10 x 30	12138	100 - 600	12 x 36	16515	200 - 950
6 x 18	6595	10 - 100	8 x 36	12202	100 - 650	10 x 36	13605	150 - 800	12 x 42	18034	250 - 1100
6 x 24	7720	25 - 200	8 x 42	13740	150 - 800	10 x 42	15293	200 - 950	12 x 48	19553	300 - 1300
6 x 30	8959	50 - 300	8 x 48	15641	200 - 1000	10 x 48	16425	250 - 1000	12 x 54	21072	350 - 1500
6 x 36	10171	75 - 400	8 x 54	16992	250 - 1150	10 x 54	17896	300 - 1200	12 x 60	23248	500 - 2000
8 x 18	8638	10 - 200	8 x 60	18343	300 - 1300	10 x 60	19244	350 - 1350	14 x 60	26800	600 - 2400

Ask us about



**EnvioCARE**



See our web site for more details  
[www.macdermidenvio.com](http://www.macdermidenvio.com)

Email: [isenquiries@macdermidenvio.com](mailto:isenquiries@macdermidenvio.com)

© 2020 MacDermidEnvio.



An Element Solutions Inc. company

